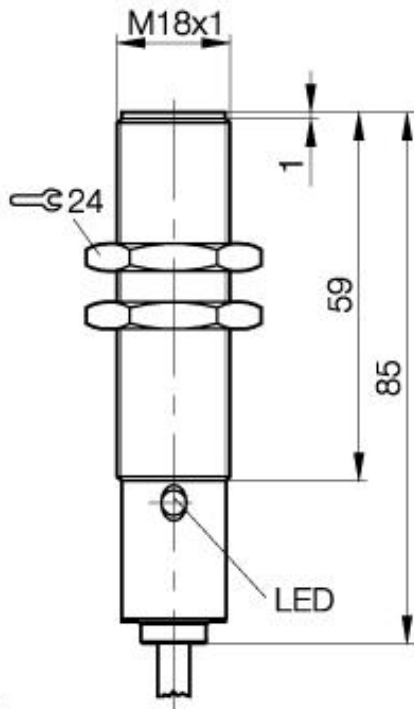


Photoelectric Sensor
BOS 18M-WS-7XB-BO-L-03
Sn=200mm
Diffuse



PX0066

Common Data

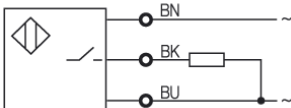
Series	18M
Sensortype	Diffuse
Switching frequency	10 Hz
Rated operating distance Sn in mm	200
assured operating distance Sa	80% from Sn
Repeat accuracy	< 5% from Sn
Hysteresis	< 10%
Indication Switching element on	yes, yellow LED
Ambient temperature	-5...+55°C
Light	Infrared
Blind zone / min Reflector distance	5mm
Permissible ambient light	2000 Lux
Output function	light-on

Mechanical Data

Measurements	M18x85
Shock	Halfsinus, 30gn, 11ms
Vibration	10...55Hz, 1,5mm Amplitude 3x2h
Housing material	nickel plated brass
Material of sensing face	PMMA
Degree of protection	IP67
Connection	Cable
Weigth	160g
Type of Cable	PVC

Electrical Data

Current	AC
Switching function	normally-open
Rated operational voltage Ue	110V AC
Rated operational current Ie	200mA
Supply Voltage	20...250V AC
Ripple	< 10% from UB
Frequency of Supply Voltage	AC
Voltage drop	<4V
Short protection	no
Protected against polarity reversal	no
Rated insulation voltage	250V AC



Utilization categories
 Insulation class

Datasheet number:

Definitions see general catalog.
 If not otherwise noted, ratings according to
 IEC 60947-5-2 (DIN EN60947-5-2)

Balluff GmbH
 Schurwaldstrasse 9
 73765 Neuhausen a.d.F.
 Phone (07158) 173-0 Fax (07158) 5010

Datenblatt by CD-ROM - 04/2007

BALLUFF
 sensors worldwide